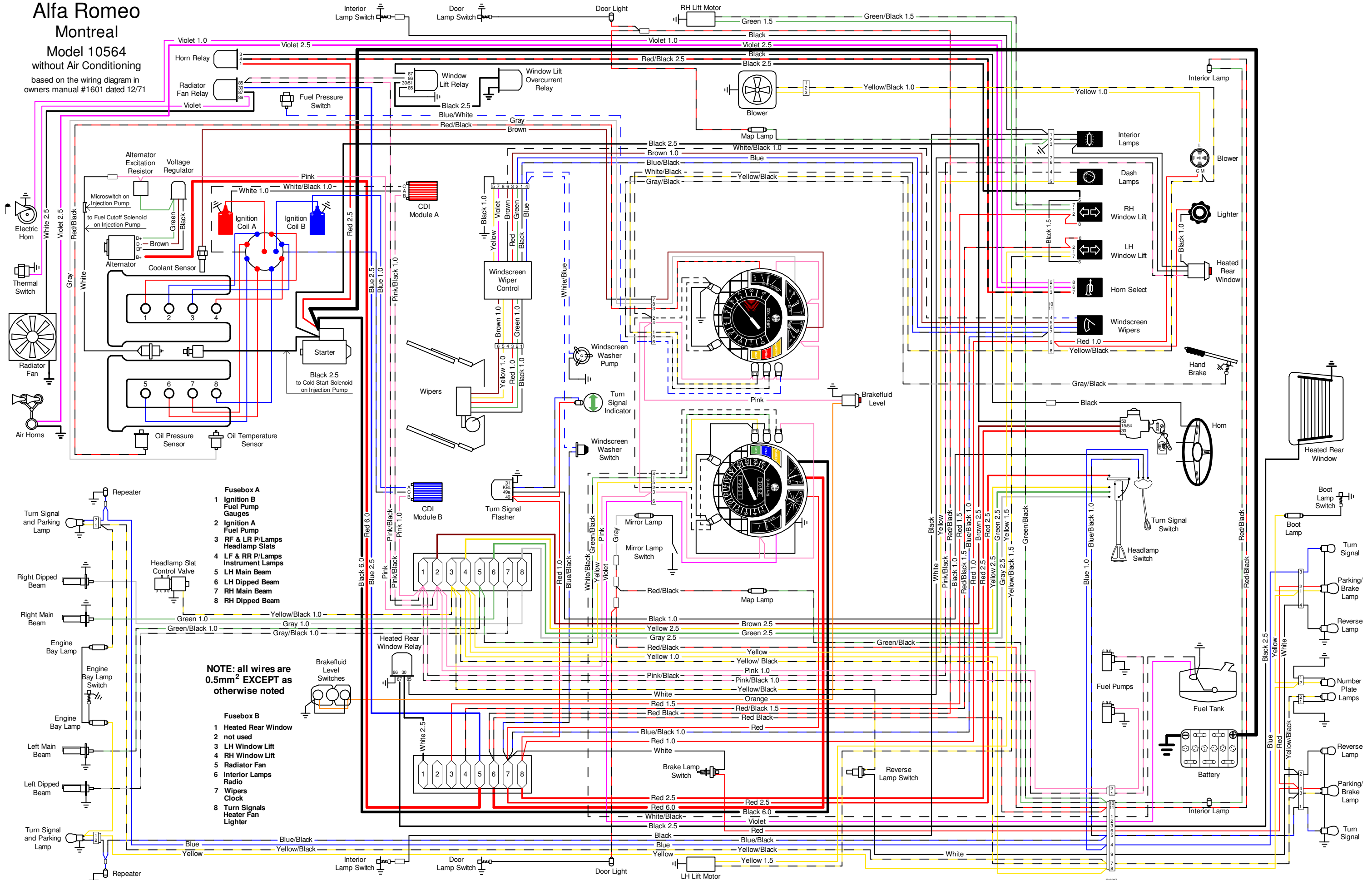


Alfa Romeo Montreal

Model 10564

without Air Conditioning

based on the wiring diagram in owners manual #1601 dated 12/71



- Fusebox A**
- 1 Ignition B Fuel Pump Gauges
 - 2 Ignition A Fuel Pump
 - 3 RF & LR P/Lamps Headlamp Slats
 - 4 LF & RR P/Lamps Instrument Lamps
 - 5 LH Main Beam
 - 6 LH Dipped Beam
 - 7 RH Main Beam
 - 8 RH Dipped Beam

NOTE: all wires are 0.5mm² EXCEPT as otherwise noted

- Fusebox B**
- 1 Heated Rear Window
 - 2 not used
 - 3 LH Window Lift
 - 4 RH Window Lift
 - 5 Radiator Fan
 - 6 Interior Lamps Radio
 - 7 Wipers Clock
 - 8 Turn Signals Heater Fan Lighter